

## Pacifico USA56894

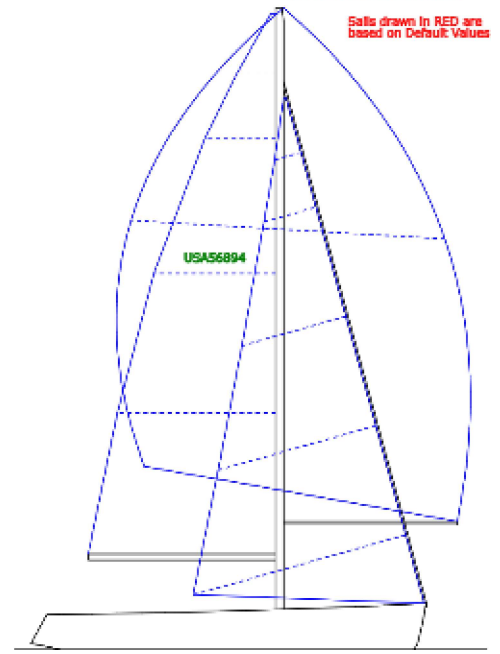
ORR Type: Offshore  
 Measurement: Full Measured  
 Valid Year: 2024

Certification #: US43094  
 Issue Date: 12-Feb-2024  
 Build Date: 01-Jan-2005  
 Measure Date: 20-Mar-2016  
 Float Date: 01-Jan-1960

Owner(s): Lundgren, John

LOA: 43.799 ft  
 Beam Max: 13.009 ft  
 Rated Crew Wgt.: 2346 lbs  
 Base Crew Wgt.: 1951 lbs  
 Stab Index: 121.4 °  
 PIPA: 0.0581 ft²  
 Inventory Wgt: 464.1 lbs  
 Canting Angle: 0.0 °  
 List Angle: 0.0 °  
 Water Ballast: 0 lbs  
 Trim Water Ball: 0.000 ft³  
 Stored Power:

Class: Beneteau 44.7  
 Builder: Beneteau  
 Rig Type: Fractional Sloop  
 Prop Type: 2 Blade Folding Strut Drive  
 Comment:  
 Keel Type: Fixed Keel  
 Spinnaker: Asymmetrical only flown with spinnaker pole  
 Hull Const: Cored  
 Mast Const: Carbon  
 Offset File: F222.OFF



General Purpose Handicap(GPH): 544.6 SpM

Measurement Trim	Genoa/Jib	Mainsail/Mast	Mizzen
SFFP: 1.056 ft	IG: 57.365 ft	GO: 0.965 ft	EB: 0.000 ft
SAFP: 41.870 ft	J: 15.748 ft	MW: 0.873 ft	PY: 0.000 ft
FFM: 5.020 ft	SFJ: 0.000 ft	P: 58.711 ft	EY: 0.000 ft
FAM: 3.832 ft	JLP: 24.311 ft	E: 20.669 ft	HBV: ft
SG: 1.025	FSP: 0.230 ft	HB: 0.525 ft	MGTY: ft
Disp Empty: 21114 lbs	JLU: 57.021 ft	MGT: 4.331 ft	MGUY: ft
LCB: 23.488 ft	JH: 0.295 ft	MGU: 7.841 ft	MGMV: ft
VCGD: 0.220 ft	JMGT: 3.018 ft	MGM: 13.451 ft	MGLY: ft
VCGM: 0.335 ft	JMGU: 5.938 ft	MGL: 17.454 ft	Area Mizzen: 0.0 ft²
Wetted Area: 391.8 ft²	JMGM: 11.909 ft	Area Main: 740.7 ft²	MDT1Y: 0.000 ft
Draft: 8.619 ft	JMGL: 18.045 ft	Main Wt: 100.4 lbs	MDL1Y: 0.000 ft
ECE: 0.000 ft	JLE: 54.954 ft	MDT1: 0.472 ft	MDL2Y: 0.000 ft
LSM0: 38.799 ft	Area Jib: 698.7 ft²	MDL1: 0.873 ft	MDT2Y: 0.000 ft
RMC: 1757.9 ft-lbs	Fstay Adj: Via Backstay	MDT2: 0.446 ft	TLY: 0.000 ft
Sink/Float: 1535.2 lb/in	Inner Fst Adj: None	MDL2: 0.682 ft	
MTCT: 2901.72 ft-lbs/in	Whisker Pole: <input type="checkbox"/>	TL: 1.476 ft	
	Outtrigger: <input type="checkbox"/>	Mast Wt: 0.0 lbs	
<b>Sailing Trim</b>	<b>Spinnaker(s)</b>	Mast CG: 0.000 ft	<b>Large Roach Headsail</b>
FF: 4.980 ft	ISP: 65.371 ft	BAS: 6.020 ft	ILRH: 0.000 ft
FA: 3.537 ft	SPL: 19.177 ft		JLRH: 0.000 ft
Disp Sailing: 24672 lbs	SL: ft		LRHLP: ft
LCB: 23.960 ft	SMW: ft		LRHLU: ft
VCGM: 0.725 ft	SF: ft		LRHHB: ft
Wetted Area: 416.6 ft²	Area Symm: 1720.5 ft²		LRHTW: ft
Draft: 8.799 ft			LRHUW: ft
Rated Length: 40.036 ft			LRHMW: ft
LSM1: 39.902 ft	ASLU: 70.112 ft	<b>Mizzen Staysail</b>	LRHQW: ft
LSM3: 40.515 ft	ASLE: 62.566 ft	YSD: ft	LRHSHW: ft
LSM4: 44.278 ft	AMG: 34.580 ft	YSMG: ft	LRHF: ft
RM2: 1831.0 ft-lbs	ASF: 34.580 ft	YSF: ft	LRHLE: ft
RM20: 1631.7 ft-lbs	Area Asym: 1911.7 ft²	Area Staysail: 0.0 ft²	Area LRH: 0.0 ft²
RM40: 1278.5 ft-lbs			
RM60: 872.5 ft-lbs	<b>Propeller</b>	EDL: 8.629 ft	ST1: 0.148 ft
RM90: 338.0 ft-lbs	Prop Dia.: 1.319 ft		ST2: 0.577 ft
LPS: 115.8 °	Twin Prop Inst: <input type="checkbox"/>		ST3: 0.577 ft
			ST4: 0.361 ft
			ST5: 0.902 ft

### Pacifico USA56894

**Table of Boat Speed Polars (knots)\* (at True Wind Angles)**

True Wind Speed	6 kts	8 kts	10 kts	12 kts	16 kts	20 kts	24 kts
Opt Beat Angle	44.4°	43.5°	40.6°	38.3°	36.1°	35.8°	36.1°
Optimum Beat	5.48	6.54	6.96	7.13	7.30	7.43	7.50
52°	6.06	7.24	7.69	7.92	8.17	8.31	8.39
60°	6.51	7.58	7.97	8.18	8.42	8.57	8.66
75°	7.05	7.88	8.31	8.53	8.86	9.08	9.23
90°	7.44	8.18	8.58	8.88	9.31	9.60	9.81
110°	7.43	8.31	8.83	9.20	9.78	10.23	10.54
120°	7.20	8.10	8.67	9.15	9.94	10.50	10.91
135°	6.02	7.38	7.99	8.49	9.40	10.47	11.62
150°	4.43	5.72	6.93	7.74	8.76	9.67	10.78
165°	3.67	4.84	5.94	6.99	8.27	9.17	10.08
180°	3.40	4.51	5.56	6.53	7.97	8.88	9.72
Optimum Run	6.29	7.15	7.24	7.32	8.12	8.99	9.89
Opt Run Angle	132.7°	137.5°	146.6°	158.3°	170.9°	172.7°	171.2°

\* Speed through the water. Available as a Performance Package from the Offshore Racing Association with detailed polar charts and files to upload into popular tactical programs. Go to: <https://offshoreracingrule.org/orr/polar-package>

**Table of Time Allowances (sec/mile)\***

True Wind Speed	6 kts	8 kts	10 kts	12 kts	16 kts	20 kts	24 kts
Opt Beat Angle	44.4	43.5	40.6	38.3	36.1	35.8	36.1
Beat VMG	919.3	759.1	681.2	643.1	610.2	597.8	593.3
52°	593.8	497.2	468.0	454.4	440.7	433.0	429.1
60°	552.6	474.8	451.8	440.1	427.3	419.8	415.7
75°	510.9	456.7	433.1	422.0	406.3	396.5	390.1
90°	484.0	440.2	419.4	405.3	386.8	375.1	366.8
110°	484.4	433.4	407.7	391.5	368.1	352.1	341.4
120°	500.2	444.3	415.0	393.3	362.0	342.8	329.9
135°	596.4	487.6	450.3	424.2	382.9	343.7	309.9
150°	730.4	592.1	516.2	464.9	410.8	372.1	334.0
165°	814.6	660.4	575.8	511.4	435.3	392.7	357.2
Run VMG	843.4	683.7	596.1	529.4	448.9	403.8	368.2
Opt Run Angle	132.7	137.5	146.6	158.3	170.9	172.7	171.2

\* Sec/mile rating assume gybing downwind when target angles are deeper than best VMG angles.

## Pacifico USA56894

### GPH Rating (SPM)

GPH	544.6
-----	-------

### Ratings by Wind Speed (TCF)

	Light	Medium	Heavy
Closed Course	0.8481	0.9684	1.1405
WL 50/50	0.8191	0.9719	1.2062
WL 60/40	0.8259	0.9733	1.1834

### Performance Metrics

SA/D Dnwind:	50.080
SA/D Average:	38.63
SA/D Upwind:	27.180
D/Length:	171.6
Ave Perf Screen:	22.500

### General Ratings (TCF)

Ocean Non Spinnaker	0.9662
Offshore Offwind	0.9565

### Performance Curve Scoring (PCS) Ratings (SPM)

	6kt	8kt	10kt	12kt	16kt	20kt	24kt
Closed Course	732.3	599.4	529.8	489.8	448.1	425.4	408.8
WL 50/50	899.9	734.4	647.1	593.7	535.2	505.6	485.0
WL 60/40	907.9	742.3	656.2	605.2	551.5	525.2	507.7
Newport to Bermuda	801.8	631.6	532.8	466.6	402.4	387.5	376.9
Marion to Bermuda	806.5	636.7	538.7	473.6	410.7	395.9	385.6

### Custom Ratings (TCF) ORA works with OA's to create custom ratings for your race course and wind conditions.

Chicago Mac Upwind	0.9738	California Offshore	0.9545	Acapulco WW/LW	0.9721
Chicago Mac AP	0.9624	Pacific Cup	0.9483	Acapulco Random	0.9685
Chicago Mac Offwind	0.9565	Transpac (Approx.)	0.8304	Acapulco WW/LW5	0.9732
Bayview Mac	0.9676	Puerto Vallarta	0.9573	Acapulco Stat Fit	0.9731
		Cabo San Lucas	0.9542	San Francisco Bay	0.9680

*Pacifico USA56894*

Sails drawn in RED are  
based on Default Values

